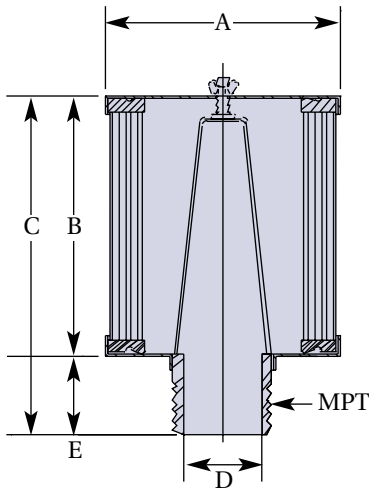


# Blower Accessories Inlet Filters and Accessory Arrangements

## Inlet Filters

Inlet filters have a single connection and are typically used in pressure applications to prevent dust, abrasive particles and contaminants from entering the blower. The filter elements are made with pleated paper impregnated with thermoset resin; replacement elements are available. Filtration efficiency is >99% per SAE Fine Dust Test (10 micron particles).

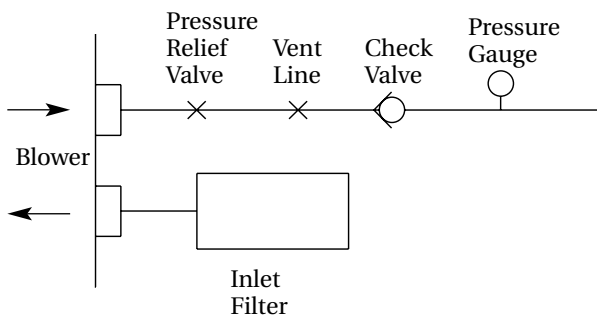


Blower Model	Inlet Filter Part No.	Replacement Filter Element Part No.	Dimensions, inches				
			A	B	C	D	E
VB-001	FIL90164	ELE90043	4 <sup>5</sup> / <sub>8</sub>	4 <sup>7</sup> / <sub>8</sub>	6 <sup>3</sup> / <sub>8</sub>	1" tube	1 <sup>1</sup> / <sub>2</sub>
VB-002	FIL90180	ELE90043	4 <sup>5</sup> / <sub>8</sub>	4 <sup>7</sup> / <sub>8</sub>	6 <sup>3</sup> / <sub>8</sub>	1 <sup>1</sup> / <sub>4</sub> " tube	1 <sup>1</sup> / <sub>2</sub>
VB-003	FIL90167	ELE90043	4 <sup>5</sup> / <sub>8</sub>	4 <sup>7</sup> / <sub>8</sub>	6 <sup>3</sup> / <sub>8</sub>	1 <sup>1</sup> / <sub>2</sub> " tube	1 <sup>1</sup> / <sub>2</sub>
VB-004	FIL90160	ELE90043	4 <sup>5</sup> / <sub>8</sub>	4 <sup>7</sup> / <sub>8</sub>	6 <sup>3</sup> / <sub>8</sub>	1 <sup>1</sup> / <sub>4</sub>	1 <sup>1</sup> / <sub>2</sub>
VB-007	FIL90154	ELE90043	4 <sup>5</sup> / <sub>8</sub>	4 <sup>7</sup> / <sub>8</sub>	6 <sup>3</sup> / <sub>8</sub>	1 <sup>1</sup> / <sub>2</sub>	1 <sup>1</sup> / <sub>2</sub>
VB-019	FIL90154	ELE90043	4 <sup>5</sup> / <sub>8</sub>	4 <sup>7</sup> / <sub>8</sub>	6 <sup>3</sup> / <sub>8</sub>	1 <sup>1</sup> / <sub>2</sub>	1 <sup>1</sup> / <sub>2</sub>
VB-030	FIL90161	ELE90045	6	4 <sup>7</sup> / <sub>8</sub>	6 <sup>3</sup> / <sub>8</sub>	2	2
VB-037	FIL90161	ELE90045	6	4 <sup>7</sup> / <sub>8</sub>	6 <sup>3</sup> / <sub>8</sub>	2	2
VB-055	FIL90162	ELE90045	6	4 <sup>7</sup> / <sub>8</sub>	7 <sup>3</sup> / <sub>8</sub>	2 <sup>1</sup> / <sub>2</sub>	2 <sup>1</sup> / <sub>2</sub>
VB-075	FIL90166	ELE90044	6	9 <sup>5</sup> / <sub>8</sub>	12 <sup>5</sup> / <sub>8</sub>	3	3
VB-110	FIL90166	ELE90044	6	9 <sup>5</sup> / <sub>8</sub>	12 <sup>5</sup> / <sub>8</sub>	3	3

## Blower Accessory Arrangements

These diagrams show the recommended location and sequence of placement for Vortex blower accessories, differentiated between pressure and vacuum applications.

### Pressure



### Vacuum

