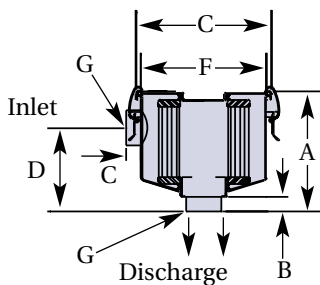


Blower Accessories

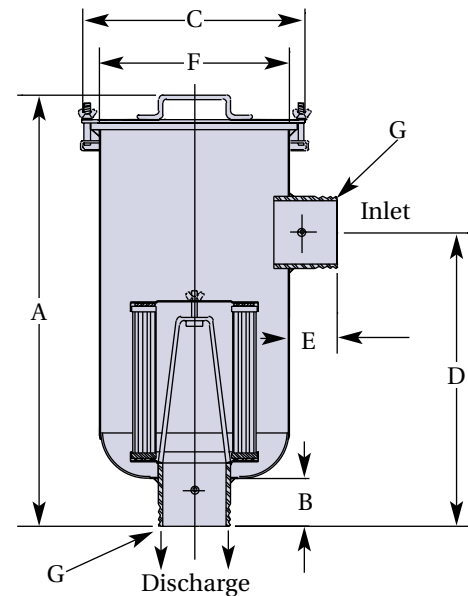
Inline filters



Inline filters have two connections and are typically used in vacuum applications to keep dust and abrasive particles from entering the blower through the connected piping. Filtration efficiency is >99% per SAE Fine Dust Test (10 micron particles). The pleated paper filter elements are replaceable. These filters have a low pressure drop and use a positive sealing O-ring system.



VB-001 - VB-055



VB-075 - VB-110

Blower Model	Inline Filter Part No.	Replacement Filter Element Part No.	Dimensions, inches						
			A	B	C	D	E	F	G (MPT)
VB-001	FIL90174	ELE90059	6½	¾	7 ⁵ / ₁₆	4½	¾	6 ¹³ / ₁₆	1
VB-002	FIL90174	ELE90059	6½	¾	7 ⁵ / ₁₆	4½	¾	6 ¹³ / ₁₆	1
VB-003	FIL90175	ELE90059	6½	¾	7 ⁵ / ₁₆	4½	¾	6 ¹³ / ₁₆	1¼
VB-004	FIL90175	ELE90059	6½	¾	7 ⁵ / ₁₆	4½	¾	6 ¹³ / ₁₆	1¼
VB-007	FIL90176	ELE90059	6½	¾	7 ⁵ / ₁₆	4½	¾	6 ¹³ / ₁₆	1½
VB-019	FIL90176	ELE90059	6½	¾	7 ⁵ / ₁₆	4½	¾	6 ¹³ / ₁₆	1½
VB-030	FIL90177	ELE90067	10¼	¾	8¾	5	¾	7 ⁵ / ₈	2
VB-037	FIL90177	ELE90067	10¼	¾	8¾	5	¾	7 ⁵ / ₈	2
VB-055	FIL90178	ELE90067	10½	1	8¾	5½	1¼	7 ⁵ / ₈	2½
VB-075	FIL90179	ELE90068	27 ⁷ / ₈	3	14	18½	3	12	3
VB-110	FIL90179	ELE90068	27 ⁷ / ₈	3	14	18½	3	12	3