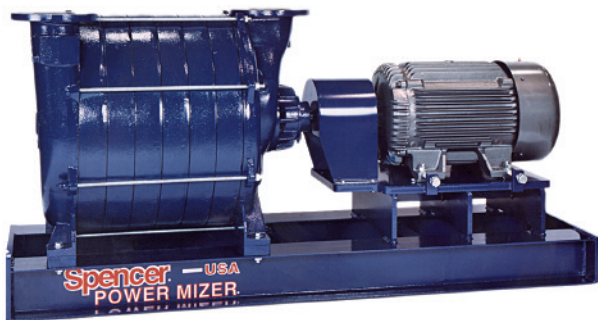


### TECHNICAL DATA SHEET



#### Rugged, energy efficient multistage blowers and exhausters

The Power Mizer® Series 2500 employs proven Spencer technology to meet heavy-duty air and gas handling requirements at peak energy efficiency.

Spencer's multistage centrifugal blowers and exhausters have a long track record of performance. The product line can be paired with Spencer's variable frequency drives (VFD), operator interface, a variety of control system options, and blower protection devices for optimum energy efficiency. It is ideal for maximum uptime in demanding environments.

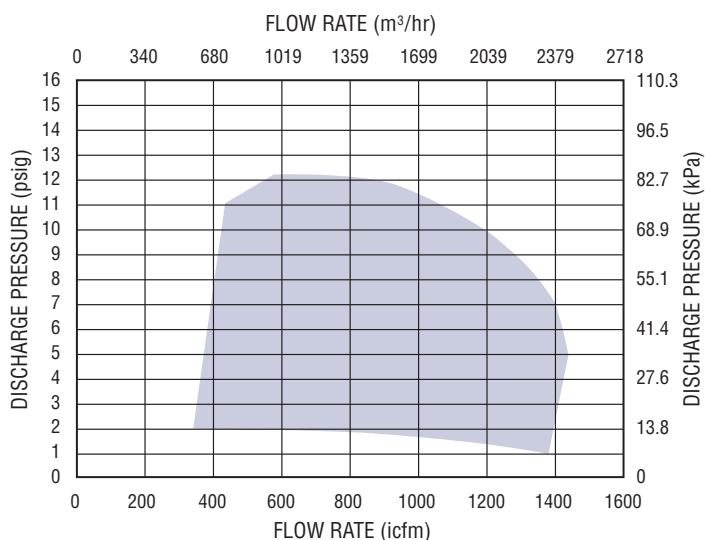
Applications include petrochemical refineries/sulfur recovery; mining/flotation; chemical/combustion air or process air; and municipal and industrial wastewater treatment/aeration.

Spencer's specially engineered aerodynamic components mean smoother, more efficient airflow from blower inlet to discharge. The Power Mizer Series 2500 is a cost-effective solution providing long-term power savings.

#### Performance Range

##### Performance at Standard Density

(Air at 68°F, Relative Humidity of 36%, Inlet Pressure 14.7 psia) 3550 rpm



#### Product Features

##### Technical Data

Number of stages: 2-10
Operating speed: 3550 rpm
Casing design pressure: 25 psig
Inlet connection: 6" (152mm) flange 125lb/150lb ANSI drilled and tapped
Outlet connection: 5" (127mm) flange 125lb/150lb ANSI drilled and tapped
Seals: labyrinth (single carbon ring available)
Bearings: 6310/6310 ball, minimum L10 bearing life of ten years per AFBMA
Lubrication: grease (standard) or oil (optional)
Drains: 3/8 NPT with plugs
Impeller diameter: 22" (559mm)
Impeller tip speed: 341 ft/sec (113 m/sec)
First critical speed: 4150 rpm for maximum stages
Vibration: 0.23 in/sec

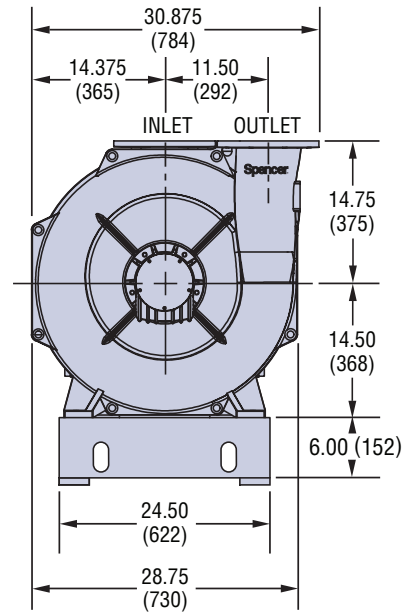
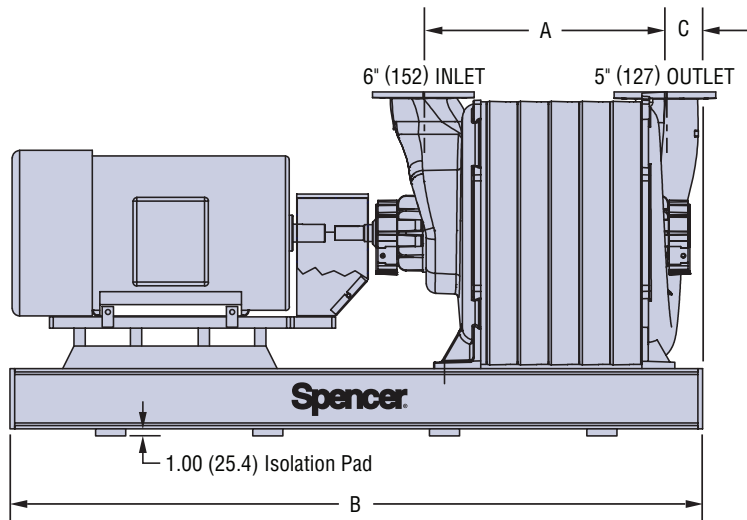
##### Accessories

Full line of standard and custom electrical control panels for packaged systems – UL and CUL Listed available
Dissolved oxygen control system
Flexible sleeve connectors and expansion joints
Filters and silencers
Butterfly valves and check valves

► Note: Specifications may vary and change without notice.

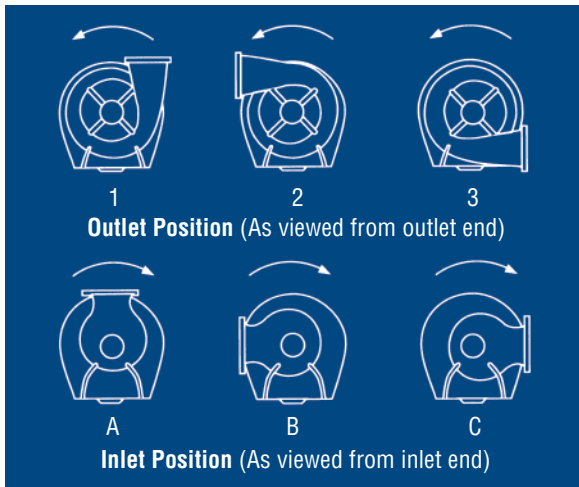
#### Materials of Construction

- Casing and heads: cast iron Class 30
- Tie rods: AISI 1035 carbon steel
- Interstage sealing: silicone rubber
- Shaft: AISI 1144 carbon steel
- Impellers: ASTM A319 cast aluminum
- Base: A36 structural steel
- Finish: epoxy primer with urethane topcoat
- Isolation pads: synthetic rubber



Model Number	No. of Stages	Dimensions						Average Weight	
		A		B		C		Blower and Base (without motor)	
		inches	mm	inches	mm	inches	mm	lb	kg
CS22	2	12.00	305	66	1676	14.18	360	1047	475
CS23	3	15.25	387	66	1676	10.93	278	1224	555
CS24	4	18.50	470	66	1676	7.68	195	1404	637
CS25	5	21.75	552	77	1956	14.18	360	1625	737
CS26	6	25.00	635	77	1956	10.93	278	1805	819
CS27	7	28.25	718	77	1956	7.68	195	1986	901
CS28	8	31.50	800	91	2311	14.18	360	2217	1006
CS29	9	34.75	883	91	2311	10.93	278	2395	1086
CS210	10	38.00	965	91	2311	7.68	195	2576	1169

**Direction of Rotation**



► Spencer may make improvements and dimensional changes to equipment designs based on market trends and requirements.

**For product selection assistance, please email [marketing@spencer-air.com](mailto:marketing@spencer-air.com) or visit our website at [www.spencerturbine.com](http://www.spencerturbine.com) to locate the Spencer representative in your area.**

The  **Spencer** Turbine Company, 600 Day Hill Road, Windsor, CT 06095 USA

TEL 800-232-4321 ♦ 860-688-8361 ♦ FAX 860-688-0098 ♦ [www.spencerturbine.com](http://www.spencerturbine.com)

