

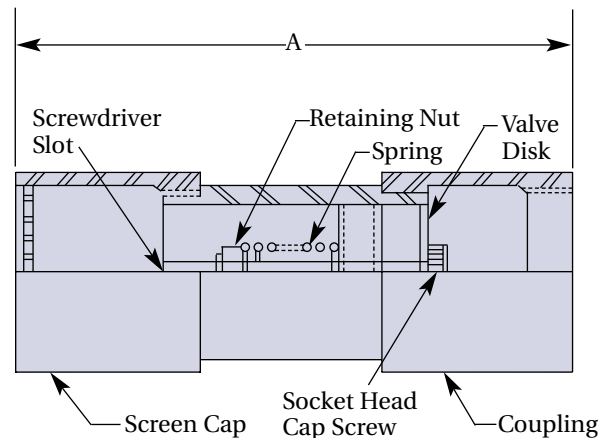
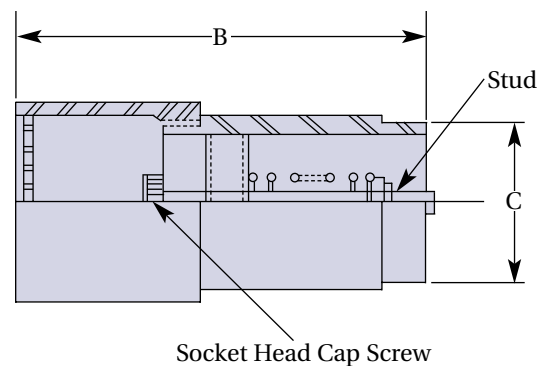
Blower Accessories Relief Valves

Spencer relief valves are designed to protect Vortex blowers from overheating in a blocked-off mode during vacuum or pressure operation. Follow the instructions furnished with each valve for adjustment procedures; avoid settings that involve blower operation beyond full load amperage of the motor as indicated on nameplate. No relief valve is required for the smallest Vortex blowers—Models VB-001 and VB-002 in vacuum service, Model VB-001 in pressure service.



Pressure Relief Valves

Blower Model	Part No.	*Max. Press. "H ₂ O		MPT Pipe Size, in.
		60 Hz	50Hz	
VB-002	VLV90320	40	27	1½
VB-003	VLV90320	44	30	1½
VB-004	VLV90320	43	30	1½
VB-007	VLV90314	51	35	1½
VB-019	VLV90314	76	52	1½
VB-030	VLV90316	94	63	2
VB-037	VLV90316	88	66	2
VB-055	VLV90316	78	68	2
VB-075	VLV90321	106	87	2½
VB-110	VLV90321	102	94	2½



Vacuum Relief Valves

Blower Model	Part No.	*Max. Vac. "H ₂ O		FPT Pipe Size, in.
		60 Hz	50Hz	
VB-003	VLV90315	40	28	1½
VB-004	VLV90313	40	28	1½
VB-007	VLV90313	45	32	1½
VB-019	VLV90313	64	46	1½
VB-030	VLV90317	76	57	2
VB-037	VLV90317	79	57	2
VB-055	VLV90317	81	58	2
VB-075	VLV90318	98	72	2½
VB-110	VLV90318	104	76	2½

*Adjustment required.

Blower Models	Dimensions, inches		
	A	B	C (NPT)
VB-002, 003, 004, 007, 019	6¼	4 ¹¹ / ₁₆	1½
VB-030, 037, 055	6¼	4 ¹¹ / ₁₆	2
VB-075, 110	9 ³ / ₈	6¾	2½