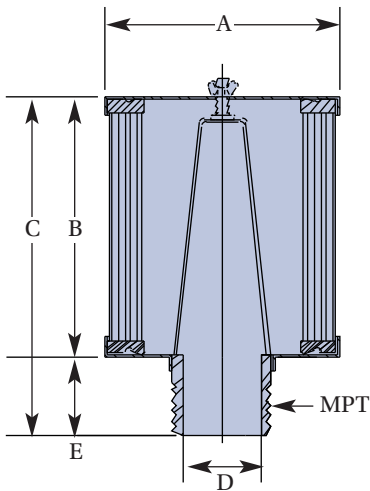


Blower Accessories Inlet Filters and Accessory Arrangements

Inlet Filters

Inlet filters have a single connection and are typically used in pressure applications to prevent dust, abrasive particles and contaminants from entering the blower. The filter elements are made with pleated paper impregnated with thermoset resin; replacement elements are available. Filtration efficiency is >99% per SAE Fine Dust Test (10 micron particles).

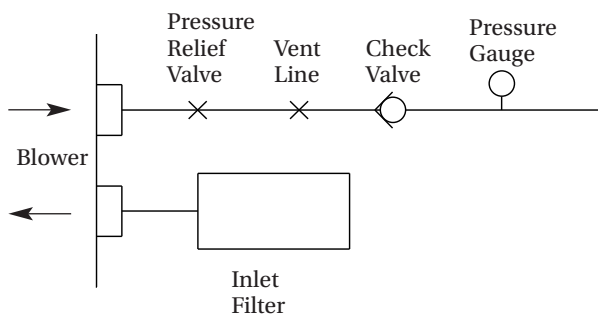


Blower Model	Inlet Filter Part No.	Replacement Filter Element Part No.	Dimensions, inches				
			A	B	C	D	E
VB001	FIL90164	ELE90043	4 ⁵ / ₈	4 ⁷ / ₈	6 ³ / ₈	1" tube	1 ¹ / ₂
VB002	FIL90160	ELE90043	4 ⁵ / ₈	4 ⁷ / ₈	6 ³ / ₈	1 ¹ / ₄ "	1 ¹ / ₂
VB003	FIL90160	ELE90043	4 ⁵ / ₈	4 ⁷ / ₈	6 ³ / ₈	1 ¹ / ₄ "	1 ¹ / ₂
VB004	FIL90160	ELE90043	4 ⁵ / ₈	4 ⁷ / ₈	6 ³ / ₈	1 ¹ / ₄	1 ¹ / ₂
VB007	FIL90154	ELE90043	4 ⁵ / ₈	4 ⁷ / ₈	6 ³ / ₈	1 ¹ / ₂	1 ¹ / ₂
VB019	FIL90154	ELE90043	4 ⁵ / ₈	4 ⁷ / ₈	6 ³ / ₈	1 ¹ / ₂	1 ¹ / ₂
VB030	FIL90161	ELE90045	6	4 ⁷ / ₈	6 ³ / ₈	2	2
VB037	FIL90161	ELE90045	6	4 ⁷ / ₈	6 ³ / ₈	2	2
VB055	FIL90162	ELE90045	6	4 ⁷ / ₈	7 ³ / ₈	2 ¹ / ₂	2 ¹ / ₂
VB075	FIL90166	ELE90044	6	9 ⁵ / ₈	12 ⁵ / ₈	3	3
VB110	FIL90166	ELE90044	6	9 ⁵ / ₈	12 ⁵ / ₈	3	3

Blower Accessory Arrangements

These diagrams show the recommended location and sequence of placement for Vortex blower accessories, differentiated between pressure and vacuum applications.

Pressure



Vacuum

