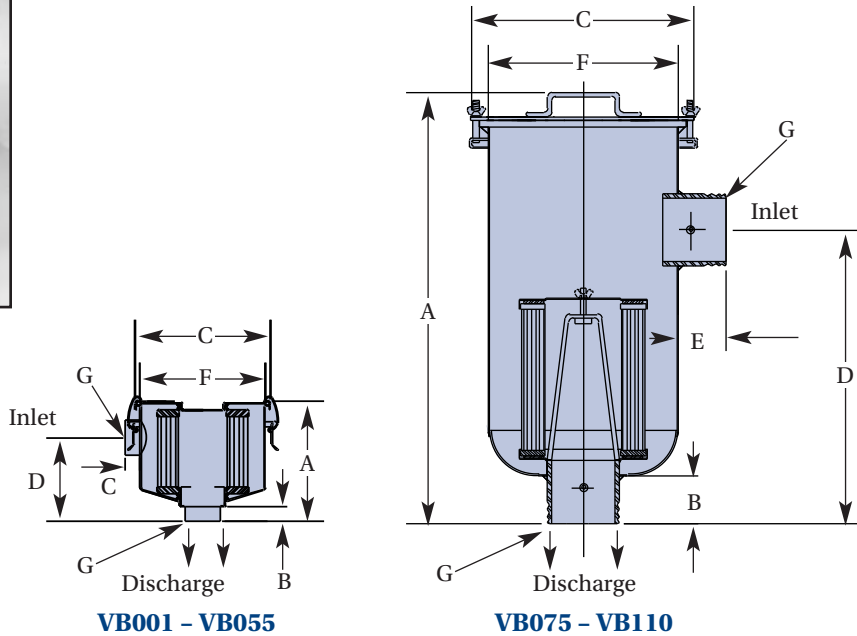


Blower Accessories

Inline filters



Inline filters have two connections and are typically used in vacuum applications to keep dust and abrasive particles from entering the blower through the connected piping. Filtration efficiency is >99% per SAE Fine Dust Test (10 micron particles). The pleated paper filter elements are replaceable. These filters have a low pressure drop and use a positive sealing O-ring system.



Blower Model	Inline Filter Part No.	Replacement Filter Element Part No.	Dimensions, inches							
			A	B	C	D	E	F	G	
VB001	FIL90174	ELE90059	6½	¾	7 ⁵ / ₁₆	4½	¾	6 ¹³ / ₁₆	1	FPT
VB002	FIL90174	ELE90059	6½	¾	7 ⁵ / ₁₆	4½	¾	6 ¹³ / ₁₆	1	FPT
VB003	FIL90175	ELE90059	6½	¾	7 ⁵ / ₁₆	4½	¾	6 ¹³ / ₁₆	1¼	FPT
VB004	FIL90175	ELE90059	6½	¾	7 ⁵ / ₁₆	4½	¾	6 ¹³ / ₁₆	1¼	FPT
VB007	FIL90176	ELE90059	6½	¾	7 ⁵ / ₁₆	4½	¾	6 ¹³ / ₁₆	1½	FPT
VB019	FIL90176	ELE90059	6½	¾	7 ⁵ / ₁₆	4½	¾	6 ¹³ / ₁₆	1½	FPT
VB030	FIL90177	ELE90067	10¼	¾	8¾	5	¾	7 ⁵ / ₈	2	FPT
VB037	FIL90177	ELE90067	10¼	¾	8¾	5	¾	7 ⁵ / ₈	2	FPT
VB055	FIL90178	ELE90067	10½	1	8¾	5½	1¼	7 ⁵ / ₈	2½	FPT
VB075	FIL90179	ELE90068	27 ⁷ / ₈	3	14	18½	3	12	3	MPT
VB110	FIL90179	ELE90068	27 ⁷ / ₈	3	14	18½	3	12	3	MPT