

AyrJet® AJ200 Series High Speed Blowers

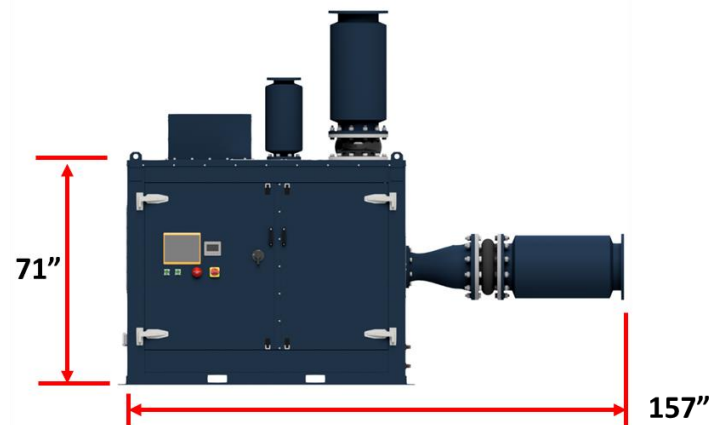
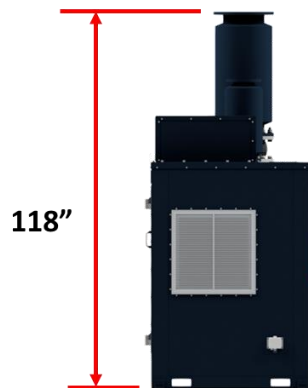
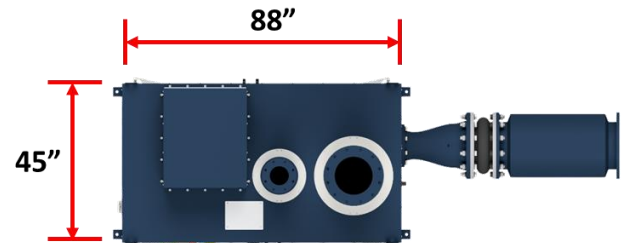
Specification and Dimensional Data

Standard Features

Aero Core	Single Stage High Speed Centrifugal Blower Impeller: 7075-T6 Aluminum, Direct Drive Casing: 365-T6 Aluminum
Process Air Inlet	12" - 14" Flexible Connector with ANSI CL150 Flange
Process Air Discharge	12" Flexible Connector with ANSI CL150 Flange
Motor/Bearings	SKF AB150 with Active Electro-Magnetic Bearings, 150 kW @ 35,000 RPM
Power Distribution	KEB F5 Series VFD with Sine Filter and Line Choke
Local Control Panel	Allen-Bradley CompactLogix PLC Allen-Bradley PanelView OIT
Cooling	Closed loop liquid for motor stator and VFD; Forced air for cabinet and motor airgap.
Noise Attenuation	85 dBA measured 3 ft from acoustic enclosure; Process air inlet/discharge silencer; Blow-off air silencer.
Flow Range	Typically 45% - 100% of maximum flow.
Instrumentation	Temperature Sensors: Inlet, Discharge, Cabinet, Motor Windings, Coolant; Pressure Sensors: Barometric, Inlet/Ventilation Filters, Inlet Mass Flow, Discharge; Magnetic Bearing: Position and derived Vibration data; Coolant: Flow/Level Switches Blow-off Valve: Position; VFD: Speed, Current, Voltage, Power; All blower status/alarms/warnings available via Allen-Bradley Ethernet/IP Protocol.

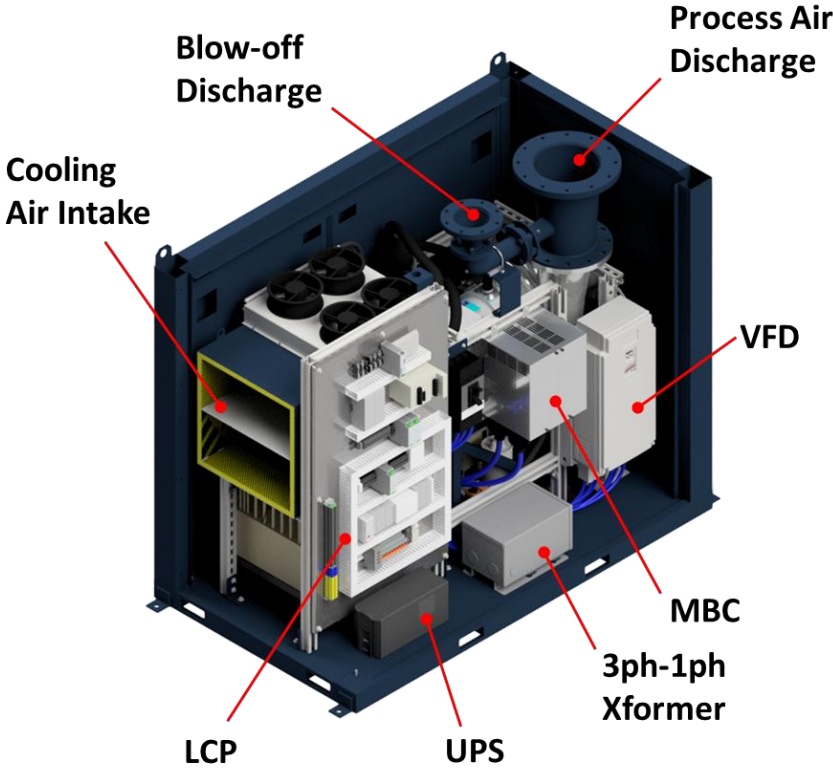
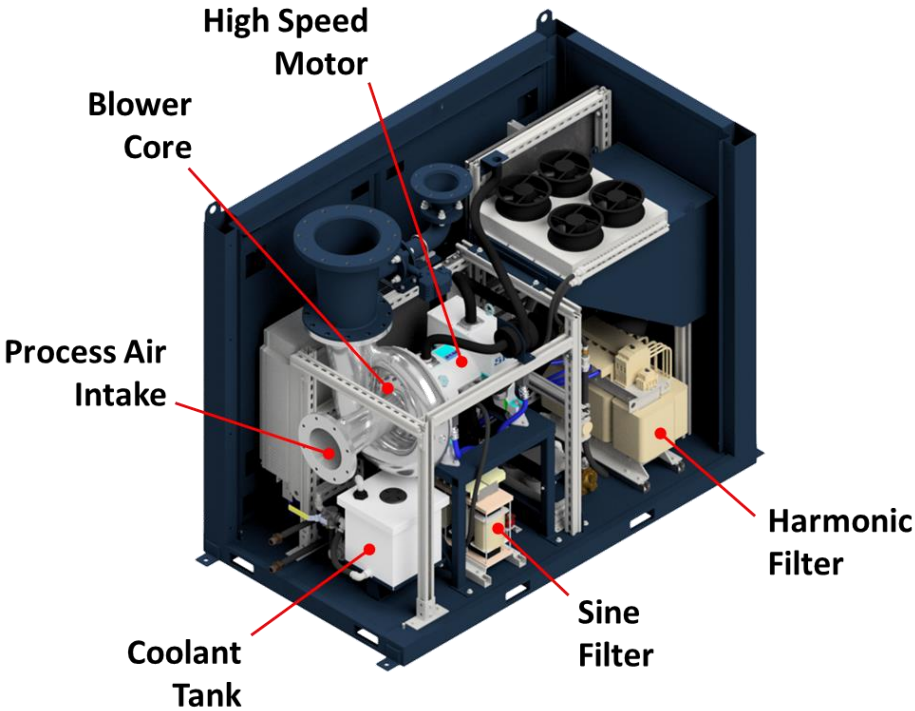
Options

UPS	Uninterruptible Power Supply for local control panel
PM	Integrated Power Monitor
HF	Passive Harmonic Filter for IEEE 519 Compliance
AC	Auxiliary Cooling with treated effluent or Chiller



AyrJet® AJ200 Series High Speed Blowers

Parts Illustrated



AyrJet® AJ200 Series High Speed Blowers

Performance Curves

